

# 104

## Batch Ice Cream Freezer



### Features

Serve homemade, low or medium overrun ice cream, gelato, sorbet or Italian ice. Fruits, candies and nuts can be folded in as product is being drawn into your container. Product may be ejected at temperatures low enough for serving, depending on mix formulation, flavorings and overrun desired.

### Freezing Cylinder

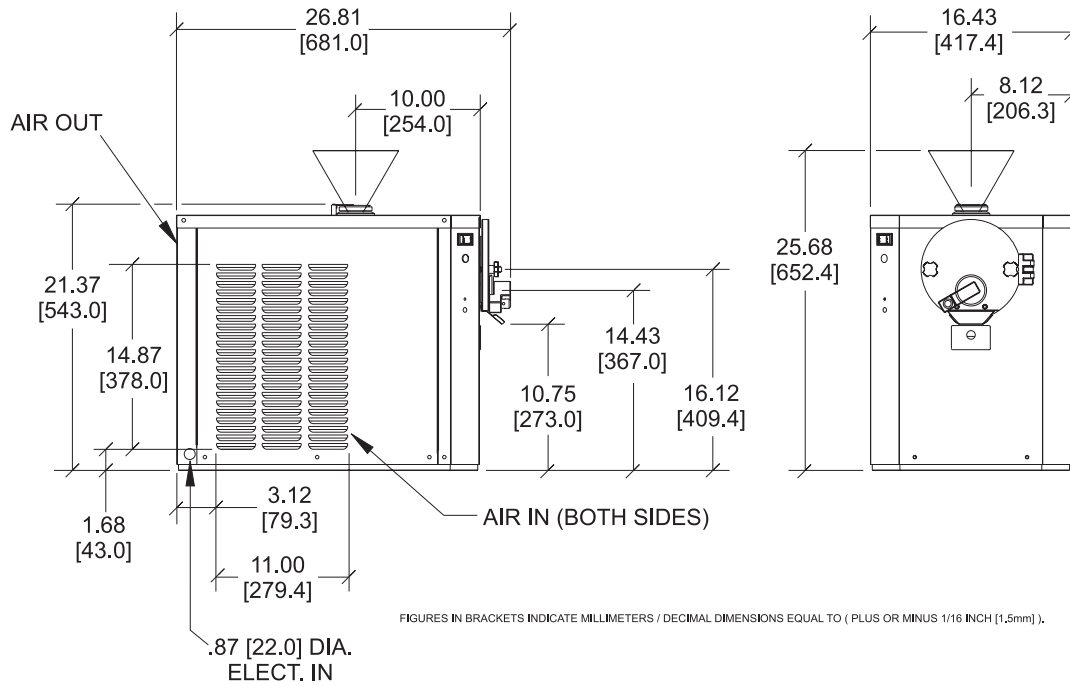
One, 3 quart (2.9 liter). Pre-charge of liquid mix determines overrun

### Automatic Timer Control

Finished product quality is automatically controlled by setting the time required for the recipe. A buzzer will sound to remind the operator to eject the finished product.

### Funnel

Liquid mix and flavorings are poured into the top, using the convenient funnel provided.



FIGURES IN BRACKETS INDICATE MILLIMETERS / DECIMAL DIMENSIONS EQUAL TO ( PLUS OR MINUS 1/16 INCH [1.5mm] ).

Weights	lbs.	kgs.
Net	165	74.9
Crated	202	91.6
Dimensions	cu. ft.	cu. m.
Volume	17.4	0.49
Dimensions	in.	mm.
Width	16-7/16	418
Depth	26-13/16	681
Height	21-3/8	542
Counter Clearance	---	---

Designed to rest on a plastic pad directly on counter top.

Electrical	Maximum Fuse Size	Minimum Circuit Ampacity	Poles (P) Wires (W)
115/60/1 Air	35	29	2P 3W
208-230/60/1 Air	15	14	2P 3W
220-240/50/1 Air	15	12	2P 3W

### Specifications

#### Electrical

One dedicated electrical connection is required. See the Electrical chart for the proper electrical requirements. Manufactured to be permanently connected. Consult your local Taylor distributor for cord & receptacle specifications as local codes allow.

#### Beater Motor

One, 1.0 HP.

#### Refrigeration System

One, approximately 2,500 BTU/hr. R404A. (BTUs may vary depending on compressor used.)

#### Air Cooled

Minimum clearance: 6" (152 mm) around all sides. Minimum air clearances must be met to assure adequate air flow for optimum performance.

This unit may be manufactured in other electrical characteristics and may have additional regulatory agency approvals. Consult the local Taylor Distributor for other electrical characteristics and agency approvals based on specific electrical and country requirements.

(For exact electrical information and approval marks, always refer to the data label of the unit.)

**Continuing research results in steady improvements; therefore, these specifications are subject to change without notice.**

#### Bidding Specs

Electrical: Volt \_\_\_\_\_ Hz \_\_\_\_\_ ph \_\_\_\_\_  
 Neutral: Yes No      Cooling: Air Water NA

Options: \_\_\_\_\_

Authorized Taylor Distributor